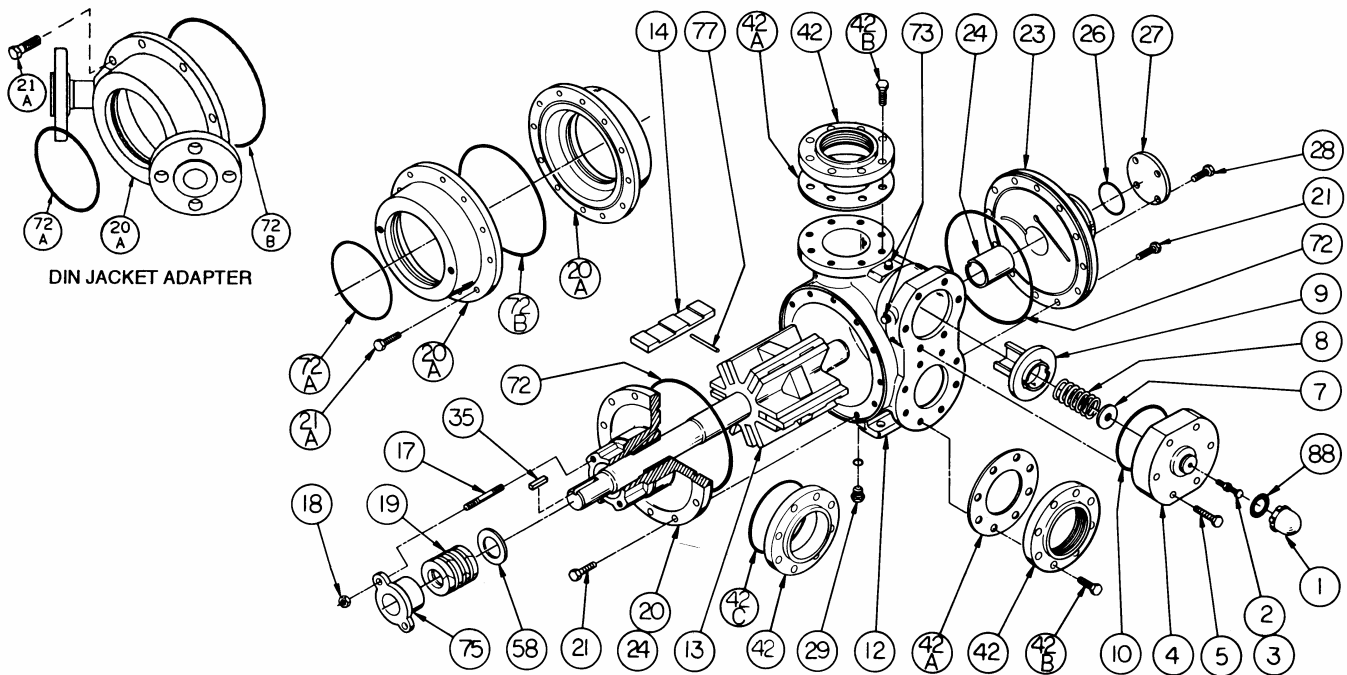


# BLACKMER PARTS LIST

## PUMP MODEL: NP4E DISCONTINUED MODEL: NP4C

NOTE: "E" model suffix indicates FKM replaces Buna-N as the standard elastomer.  
(See Instructions 103-A00 or 185/F for Installation, Operation and Maintenance)

Section	103
Effective	July 2001
Replaces	185/F5 June95



Ref. No.	Description	Parts per Pump	Part No.	Ref. No.	Description	Parts per Pump	Part No.
1	Cap - Relief Valve (R/V)	1	415000	14	Vane - EC Bronze	6	091953
2	Adjusting Screw - R/V (Std.)	1	436307	20	Head & Bushing Asy. - Inboard	1	031968
	Adjusting Screw - R/V <sup>1</sup>		436311		SAE Heating Jacket		031970
3	Locknut - Adjusting Screw	1	436355	20A	Din Heating Jacket/Adapter Asy.	0 - 2	891997
				21	Capscrews - Head	24	920532
4	Cover - R/V (Std.)	1	411968	21A	Capscrews - Heating Jacket	0 - 24	920549
	Cover - R/V <sup>1</sup>		411969	23	Head & Bushing Asy. - Outboard	1	031969
5	Capscrew - R/V Cover (Std.)	6	920351	24	Sleeve Bearing	2	161900
	Capscrew - R/V Cover <sup>1</sup>		920421	26	O-Ring - Bearing Cover (FKM) (Std.)	1	702222
7	Spring Guide - R/V	1	426355		O-Ring - Bearing Cover (PTFE)		
			476303	27	Bearing Cover	1	041900
			476310	28	Capscrews - Bearing Cover	4	920611
			476305	29	Pipe Plug Asy. <sup>2</sup> (SAE # 6) (FKM) (Std.)	1	908212
			476968		Pipe Plug Asy. <sup>2</sup> (SAE # 6) (PTFE)		908213
			476320	35	Key - Shaft	1	909191
			476314	42	Flange - 4" NPT (Std.) <sup>4</sup>	2	651900
			476321	42A	Gasket - NPT Flange (Comp.) (Std.) <sup>4</sup>	2	381904
476969	42B	Capscrew - NPT / Weld Flange	8	920532			
9	Valve - R/V (Std.)	1	456315	72	O-Ring - Head (FKM) (Std.)	2	702128
	Valve - R/V (Nickel Plated)		456300		O-Ring - Head (PTFE)		702129
10	O-Ring - R/V Cover (FKM) (Std.)	1	702229	72A	O-Ring (Small) - Jacket (FKM) <sup>3</sup>	0 - 2	702223
	O-Ring - R/V Cover (PTFE)		702230		O-Ring (Small) - Jacket (EPR) <sup>3</sup>		702251
12	Cylinder (Std.)	1	021906	72B	O-Ring (Large) - Jacket (FKM) <sup>3</sup>	0 - 2	702128
	Cylinder w/ Drain (Ductile Iron) <sup>2</sup>		021911		O-Ring (Large) - Jacket (EPR) <sup>3</sup>		702255
13	Rotor & Shaft (Std.)	1	261968	73	Gage Plug	2	908198
	Rotor & Shaft (Ext. Length)		261969	77	Push Rods	3	121905
14	Vane - Duravane (Std.) <sup>5</sup>	6	091924	88	O-Ring - R/V Cap (FKM) (Std.)	1	711908
	Vane - EC Laminate		091931		O-Ring - R/V Cap (PTFE)		702076
	Vane - EC Cast Iron		091952				

<sup>1</sup>Optional High Pressure Relief Valve - parts must be used as a group (includes p/n's 436311, 411969, 920421, and either 476968 or 476969).

<sup>2</sup>SAE Plug standard with cylinder p/n 021911.

<sup>3</sup>For hot oil circulation use FKM O-Rings; For steam circulation use EPR O-Rings.

<sup>4</sup>See backside for Flange Options.

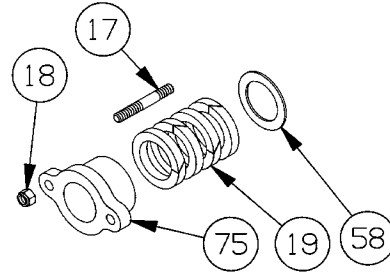
<sup>5</sup>150 psi maximum for Duravanes.

EC = Extra-Clearance

SS = Stainless Steel

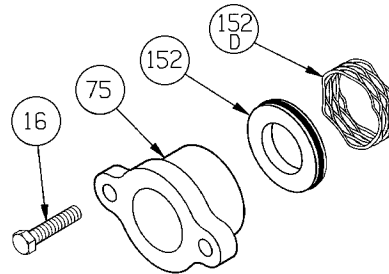
**PACKING - STANDARD**

Ref. No.	Part Name	Parts Per Pump	Part No.
17	Stud - Packing Follower	2	921610
18	Nut - Packing Follower Stud	2	922435
19	Packing Set	1	321968
58	Pack Washer	1	351900
75	Packing Follower	1	141968



**LIP SEAL - OPTIONAL**

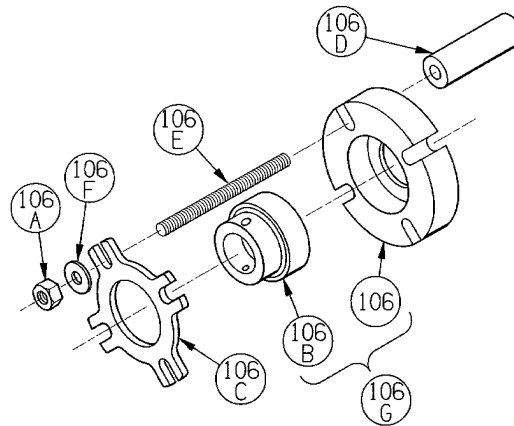
Ref. No.	Part Name	Parts Per Pump	Part No.
16	Capscrew - Follower	2	920640
75	Seal Follower	1	141968
152	Lip Seal Assembly (To 500°F)	1	702246
152D	Wave Spring	1	321901



**NOTE:** A Commercial Mechanical Seal (cartridge type) can be used in place of packing or lip seals. Consult mechanical seal manufacturer for more information.

**SHAFT SUPPORT BEARING – OPTIONAL\***

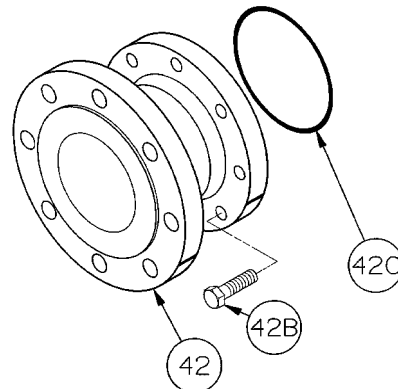
Ref. No.	Part Name	Parts Per Pump	Part No.
See Below	Shaft Support Bearing Kit	See below	891998
106	Bearing Housing	1	631901
106A	Locknut - Bearing Housing	4 - 6	922435
106B	Bearing & Collar Assembly	1	903138
106C	Cover - Bearing Housing	1	631900
106D	Stand Off - Bearing Support (for use with packing)	2	631902
	Stand Off - Bearing Support (for use with mechanical seal)	4	631903
106E	Stud - Bearing Support	4	921620
106F	Washer - Locknut	4	909605
106G	Bearing & Housing Assembly	—	631904



\*Shaft Support Bearing is designed for use with Extended Length Rotor & Shaft - p/n 261969.

**FLANGE OPTIONS**

Ref. No.	Part Name	Parts Per Pump	Part No.
42	Flange - 4" Weld (shown on front)	0 - 2	651906
	Flange - DIN 100		651918
	Flange - ANSI 4"		651917
42B	Capscrew - DIN/ANSI Flange	0 - 16	920532
42C	O-Ring - Flange (FKM)	0 - 2	702238
	O-Ring - Flange (PTFE)		702239



DIN / ANSI FLANGE