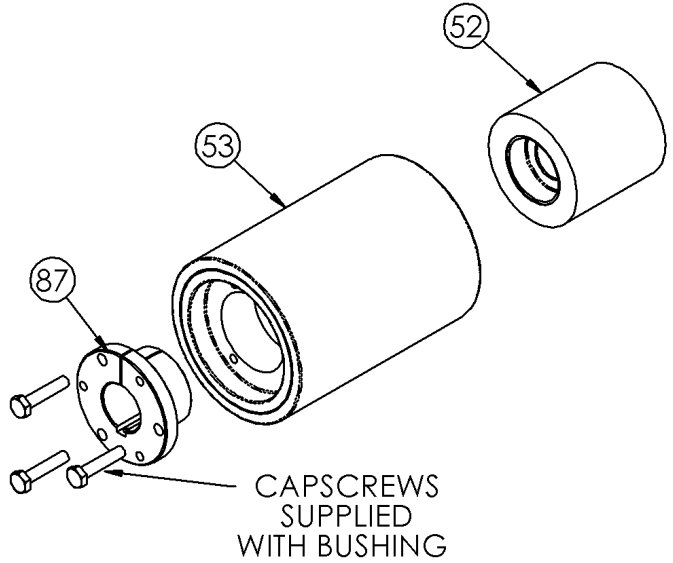


MAGNET OPTIONS

Ref. No.	Part Name	Parts Per Pump	Part No.	
52	Inner Magnet (MC10)	1	681260	
	Inner Magnet (MC20)		681261	
53	Outer Magnet (MC10) 143-145TC Frame 182-184TC Frame	1	681270	
	Outer Magnet (MC20) 182-184TC Frame 213-215TC Frame		681271	
	87	Bushing Outer Magnet (MC10) 143-145TC Frame	1	902431
		Bushing Outer Magnet (MC10) 182-184TC Frame		902451
Bushing Outer Magnet (MC20) 182-184TC Frame		902453		
Bushing Outer Magnet (MC20) 213-215TC Frame				



Discontinued Models MVP15, MVP20, & MVP30 used different magnets and lockcollars in place of ref. (87) bushing. Replacement of either the Inner Magnet (52), the outer Magnet (53), or the lockcollars (87) on these models will require the replacement of all three parts.

