

BLACKMER PARTS LIST

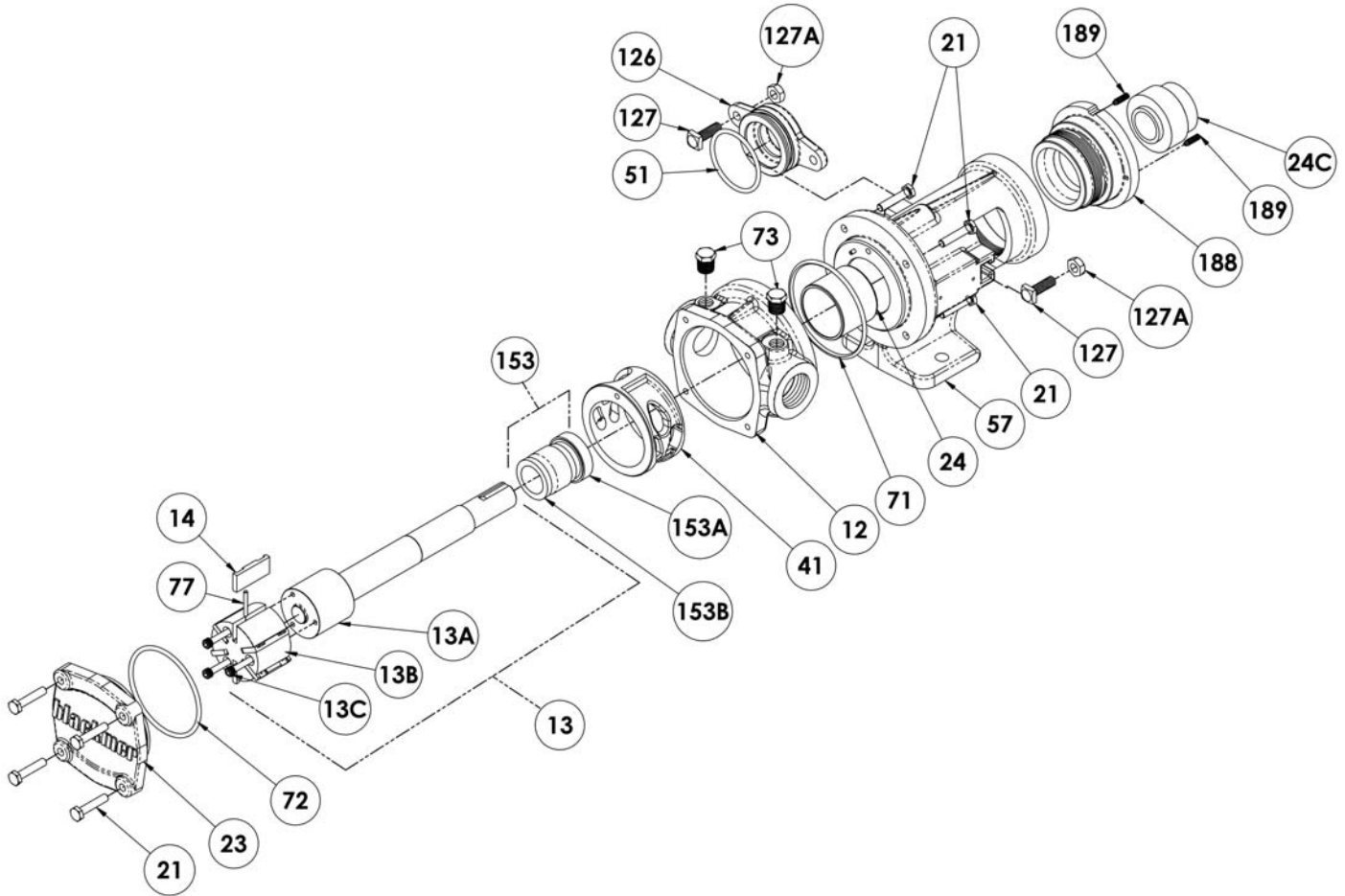
PUMP MODEL: PV10A, PV15A

Discontinued Models: Parts Availability may be limited.
(See Instructions 111-A00 for Installation, Operation and Maintenance)

965806
Page 1 of 2

PARTS LIST
111-A02

Section	111
Effective	January 2005
Replaces	New



Ref. No.	Description	Parts per Pump	Part No.	Ref. No.	Description	Parts per Pump	Part No.
12	Casing	1	016705	51	O-Ring – Seal Cover (FKM)	1	701970
13	Rotor & Shaft Asy. (Std.) ¹	1	266705	57	Drive Housing	1	836705
	Rotor & Shaft Asy. (E.C.) ²		266706	71	O-Ring – Drive Housing (FKM)	1	711959
13A	Shaft	1	216705	72	O-Ring – Head (FKM)	1	701924
13B	Rotor (Std.) ¹	1	206705	73	Plug – 1/4" NPT	2	908198
	Rotor (E.C.) ²		206706		Push Rod – PV10A -Plastic (Std.) ¹	3	125813
13C	Rotor Cap screws	3	920268				Push Rod – PV10A -Steel ²
14	Vane – Duravane (Std.) ¹	6	094862	77	Push Rod – PV15A -Plastic (Std.) ¹	3	125814
	Vane – Bronze ²		094872		Push Rod – PV15A -Steel ²		126706
21	Cap screw	8	920080	126	Seal Cover	1	146705
23	Head	1	036705	127	Seal Cover Cap screw	2	920377
24	Bearing – Sleeve	1	166705	127A	Seal Cover Locknut	2	922825
24C	Bearing – Ball	1	903189	153	Mechanical Seal Assembly -Std. ¹	1	See Backside
35	Key – Shaft	1	909152				
41	Liner – PV10A	1	186705	188	Bearing Adjuster	1	306705
	Liner – PV15A		186706	189	Bearing Adjuster Set Screw	2	922023

¹ Standard Clearance Rotor, Duravanes, Plastic Push Rods and the Mechanical Seal must be used together.

² Extra Clearance Rotor, Bronze Vanes, Metal Push Rods and the Lip Seal must be used together. (for higher viscosity applications).

Keep this parts list with Installation, Operation and Maintenance Instructions.

MECHANICAL SEAL

Ref. No.	Part Name	Parts Per Pump	Part No.
153	Mechanical Seal Complete	1	336705
153A	Stationary Seal and Seat	-	-
153B	Rotating Face & Element	-	-

