

BLACKMER PARTS LIST

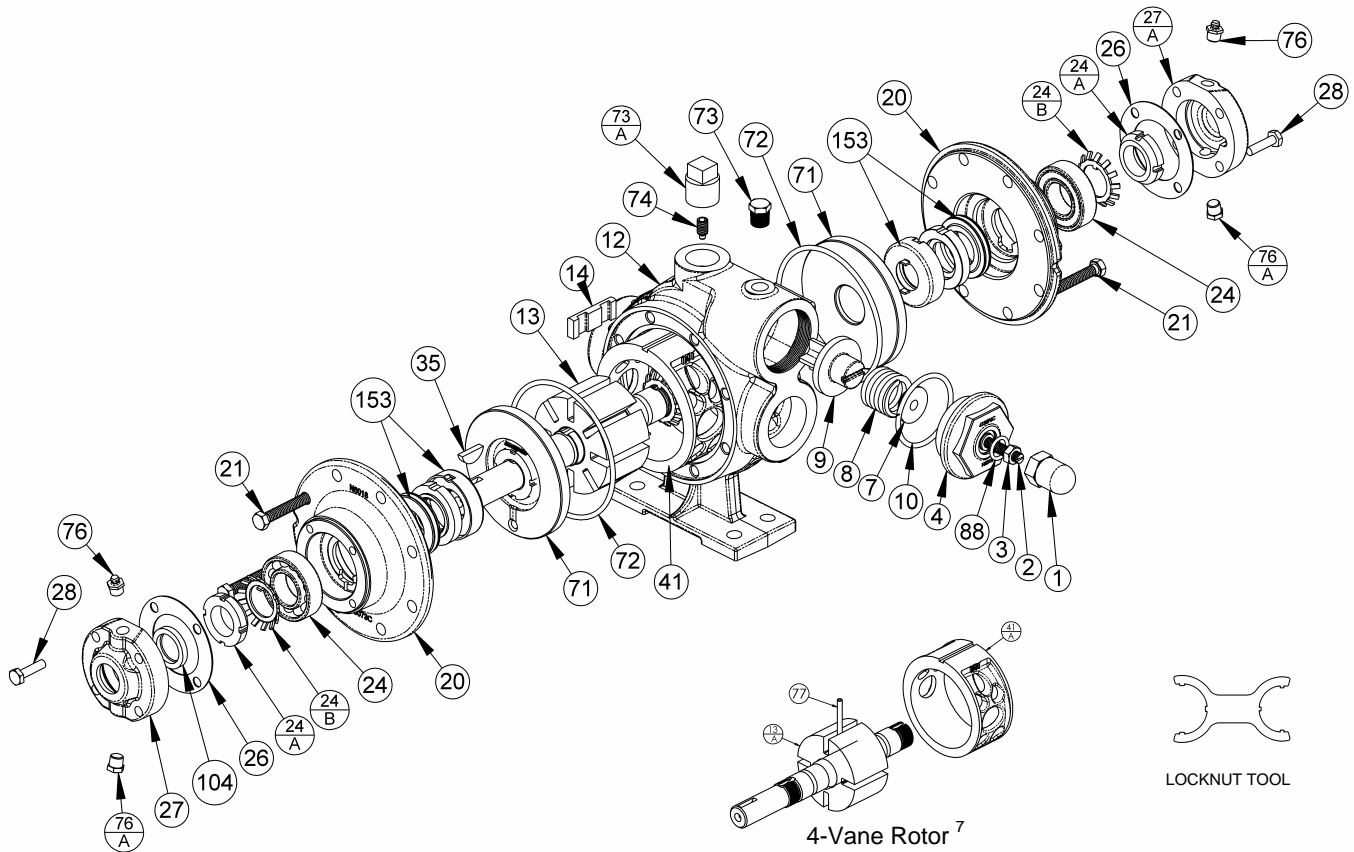
**PUMP MODELS: LGRL1.25, LGRLF1.25A, LGL1.25,
LGLF1.25A, LGL1.5, LGLF1.5A**

and discontinued models: LGRLF1.25, LGLF1.25

See Instructions 501-B00 for Installation, Operation and Maintenance

960410 **PARTS LIST**
Page 1 of 2 **501-B01**

Section 501
Effective Sept 2007
Replaces July 2007



Ref. No.	Description	Parts per Pump	Part No.	Ref. No.	Description	Parts per Pump	Part No.
1	Cap – Relief Valve (R/V)	1	413200	27A	Bearing Cover – Outboard	1	043071
2	Adjusting Screw – R/V	1	433909	28	Capscrews – Bearing Cover ⁴	4 - 8	920080
3	Locknut – Adjusting Screw	1	922923	35	Shaft Key	1	¹ 909125
4	Cover – R/V	1	413076	41	Liner – LGRL(F)1.25 [8 - Vane Only]	1	² 183019
7	Spring Guide – R/V	1	423955		Liner – LGL(F)1.25 [8 - Vane Only]		² 183020
8	Spring – R/V (81 – 125 psi)	1	471428		Liner – LGL(F)1.5 [8 - Vane Only]		² 183310
9	Valve - R/V	1	453077	71	Disc	2	¹ 063075
10	O-Ring – R/V Cover	1	¹ 711924	72	O-Ring – Head	2	¹ 701918
12	Casing with feet (1.25)	1	013075	73	Gage Plug (1/4")	1	908198
	Casing with feet (1.5)		013376	73A	Gage Plug (3/4")	1	⁶ 908225
13	Rotor & Shaft Assembly, Eight Vane (with Ref. Nos. 24A & 24B)	1	² 262300	74	Setscrew – Liner	1	922088
14	Vane – Duravane	8	¹ 093088	76	Grease Fitting	2	317815
20	Head	2	033073	76A	Grease Relief Fitting	2	701992
21	Capscrews – Head	16	920276	88	O-Ring – R/V Cap	1	¹ 701949
24	Ball Bearing	2	¹ 903114	104	Grease Seal	1	¹ 331927
24A	Locknut – Bearing	2	² 903534	—	Tool - Locknut	—	903090
24B	Lockwasher – Bearing	2	¹ 903533	—	Kit - Maintenance [8 Vane]	—	898976
26	Gasket - Bearing Cover ³	1-2	¹ 383075	—	Kit - Rebuild LGRL(F)1.25(A) [8 Vane]	—	899076
27	Bearing Cover – Inboard ⁵	0-1	043070	—	Kit - Rebuild LGL(F)1.25(A) [8 Vane]	—	899077
				—	Kit - Rebuild LGL(F)1.5(A) [8 Vane]	—	899078

¹ Included in Maintenance Kits and Rebuild Kits ² Included in Rebuild Kits.

^{3,4,5} Applies to LG(R)LF pump models only: ³ Use one outboard ⁴ Use four outboard ⁵ Use none.

⁶ Ref. No. 73A: Older pumps may use a 1/4" plug (pn 908198) or 1/2" plug (pn 908215).

⁷ See opposite side re parts for older pumps fitted with a 4-vane rotor.

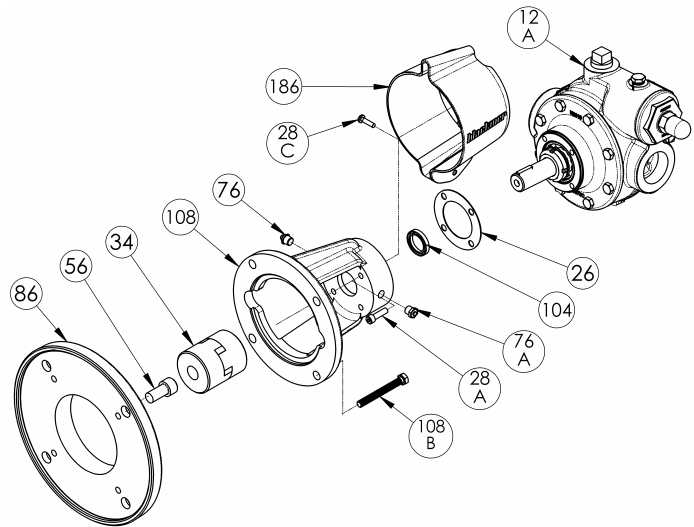
Note: Earlier model pumps used taper pins, which are no longer required.

Keep this parts list with Installation, Operation and Maintenance Instructions.

FLANGE 'F' MOUNTING

Ref. No.	Description	Parts per Pump	Part No.
12A	Casing without Feet – LG(R)LF1.25	1	013077
	Casing without Feet – LGLF1.5		013377
26	Gasket - Bearing Cover	1	383075
28A	Bracket Mounting Screws	4	920101
28C	Guard Screw	1	920026
34	Coupling Half – Pump	1	906147
	Coupling Spider		906155
	Coupling Half – Motor (56C)		906151
	Coupling Half – Motor (143TC,145TC,184C)		906147
	Coupling Half – Motor (182TC,184TC,215C)		906146
56	Capscrews – Adapter Ring Mounting	4	920480
76	Grease Fitting	1	317815
76A	Grease Relief Fitting	1	701992
86	Motor Adapter Ring-182TC,184TC,215C	1	832914
104	Grease Seal	1	331927
108 ⁶	Mounting Bracket Includes Ref. Nos. 76 & 76A	1	832912
108B	Capscrews - Bracket	4	920331
186	Guard	1	804120

⁶ Use (P/N 833000 – Mounting Bracket w/ feet) on discontinued models LG(R)LF1.25 and LGLF1.5

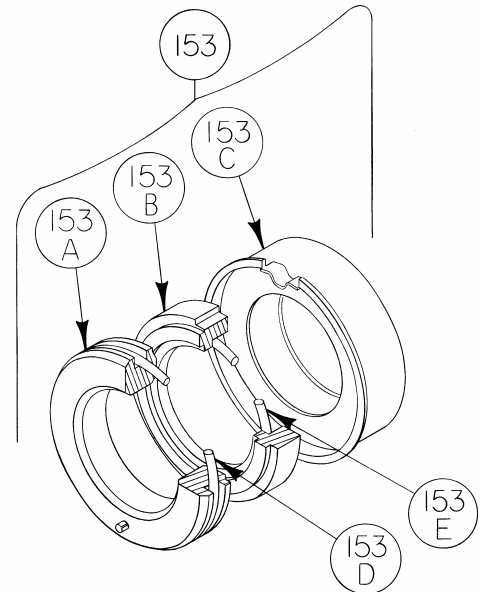


MECHANICAL SEAL

Ref. No.	Part Name	Parts Per Pump	Part No.
153	Mechanical Seal Assembly	2	¹ 333045
153A	Stationary Seat (Hardened Steel)	2	**
153B	Seal Face (Carbon)	2	**
153C	Jacket Assembly	2	**
153D	O-Ring – Stationary (Buna-N)	2	711916
153E	O-Ring – Rotating (Buna-N)	2	711915

¹ Included in Maintenance Kits and Rebuild Kits

** NOTE: Mechanical Seal Ref. No. 153 is only sold as a complete assembly. Ref. Nos. 153A, 153B & 153C are not available as separate replacement parts.



4-VANE ROTOR/SHAFT PARTS

Ref. No.	Part Name	Parts Per Pump	Part No.
13A	Rotor & Shaft Assembly, Four Vane (Includes Ref. Nos. 24A & 24B)	1	² 263076
14	Vane – Duravane	4	¹ 093088
41A	Liner – LGRL(F)1.25 [4 - Vane Only]	1	² 183003
	Liner – LGL(F)1.25 [4 - Vane Only]		² 183004
	Liner – LGL(F)1.5 [4 - Vane Only]		² 183301
77	Push Rod – LGRL(F)1.25	2	¹ 123004
	Push Rod – LGL(F)1.25		¹ 123076
	Push Rod LGL(F)1.5		¹ 123401

Part Name	Part No.
Kit – Maint LGRL(F)1.25A [4 Vane]	898917
Kit - Maint LGL(F)1.25(A) [4 Vane]	898918
Kit - Maint LGL(F)1.5(A) [4 Vane]	898919
Kit - Rebuild LGRL(F)1.25A [4 Vane]	899017
Kit - Rebuild LGL(F)1.25(A) [4 Vane]	899018
Kit - Rebuild LGL(F)1.5(A) [4 Vane]	899019



1809 Century Avenue, Grand Rapids, Michigan 49503-1530, U.S.A.
 Telephone: (616) 241-1611 / Fax: (616) 241-3752
 E-Mail: blackmer@blackmer.com / Internet: www.blackmer.com

Parts List 501-B01
 Page 2 of 2