

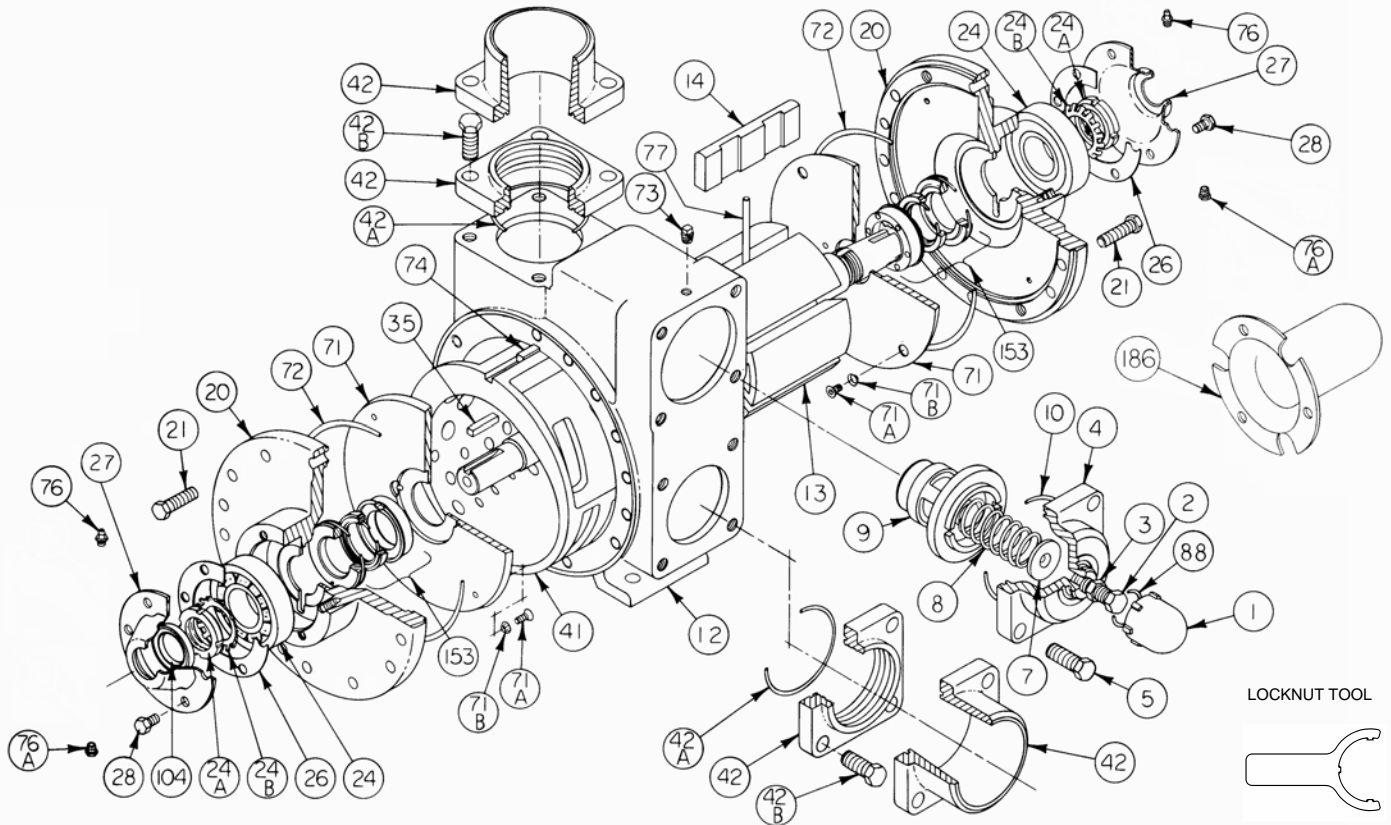
BLACKMER PARTS LIST

PUMP MODEL: LGLD4B

962007 **PARTS LIST**
Page 1 of 2 **501-E01**

Section 501
Effective Apr 2008
Replaces Mar 2008

(See Instructions 501-E00 for Installation, Operation and Maintenance)



Ref. No.	Description	Parts Per Pump	Part No.	Ref. No.	Description	Parts Per Pump	Part No.
1	Cap - Relief Valve (R/V)	1	413952	41	Liner	1	² 182000
2	Adjusting Screw - R/V	1	436310	42	Flange - 3" NPT	1 - 2	652012
3	Locknut - Adjusting Screw	1	432039		Flange - 3" Weld		652007
4	Cover - R/V	1	412001		Flange - 4" Weld		652005
5	Capscrew - R/V Cover	4	920663	42A	O-Ring - NPT, Weld Flange	2	¹ 701937
7	Spring Guide - R/V	1	426355	42B	Capscrew - NPT Flange	8	920663
8	Spring - R/V	1	472039		Capscrew - Weld Flange		920640
9	Valve - R/V	1	452001	71	Disc	2	¹ 062039
10	O-Ring - R/V Cover	1	¹ 701946	71A	Machine Screw - Disc	8	² 920015
12	Casing	1	012019	71B	Lockwasher - Machine Screw	8	² 909634
13	Rotor & Shaft Asy, Dbl. End - LGLD4B (Includes Ref. No. 24A & 24B)	1	² 262041	72	O-Ring - Head	2	¹ 702039
14	Vane - Duravane	6	¹ 092019	73	Gage Plug	2	908198
20	Head	2	032041	74	Key - Liner	1	² 182040
21	Capscrews - Head	28	920532	76	Grease Fitting	2	317815
24	Ball Bearing	2	¹ 903166	76A	Grease Relief Fitting	2	701992
24A	Locknut - Bearing	2	² 903541	77	Push Rod - composite - LGLD4B	3	¹ 122009
24B	Lockwasher - Bearing	2	¹ 903542	88	O-Ring - R/V Cap	1	¹ 701926
26	Gasket - Bearing Cover	2	¹ 385125	104	Grease Seal - LGLD4B	2	¹ 331908
27	Bearing Cover - LGLD4B	2	041815	186	Shaft Protector	1	341801
28	Capscrews - Bearing Cover	12	920286		Tool - Locknut		903092
35	Key - Shaft	1	¹ 909183		Kit - Maintenance		898922
					Kit - Rebuild - LGLD4B		899022

¹ Included in Maintenance Kit and Rebuild Kit ² Included in Rebuild Kit only

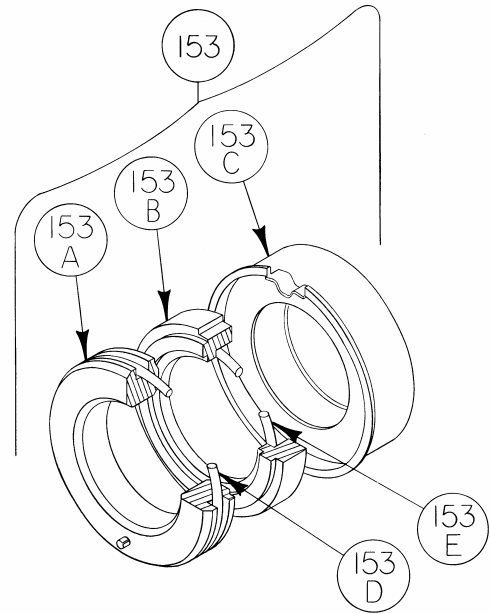
Keep this parts list with Installation, Operation & Maintenance Instructions.

MECHANICAL SEAL - STANDARD

Ref. No.	Part Name	Parts Per Pump	Part No.
153	Mechanical Seal Assembly	2	¹ 332050
153A	Stationary Seat (Hardened Steel)	2	**
153B	Seal Face (Carbon)	2	**
153C	Jacket Assembly	2	**
153D	O-Ring - Stationary (Buna-N)	2	701934
153E	O-Ring - Rotating (Buna-N)	2	711912

¹ Included in Maintenance Kit and Rebuild Kits

** NOTE: Mechanical Seal Ref. No. 153 is only sold as a complete assembly. Ref. Nos. 153A, 153B & 153C are not available as separate replacement parts.



HYDRAULIC MOTOR ADAPTER PARTS

REF. NO.	PART NAME	PARTS PER PUMP	PART NO.
See Below	Hydraulic Motor Adapter Kit *	See Below	892037
26A	Gasket – Hydraulic Motor Adapter	1	381817
28A	Capscrew – Hydraulic Motor Adapter / Head	6	920369
34	Coupling w/ Setscrew – 1.25" straight key hyd. motor shaft	1	906970
35	Key – Coupling	1	909184
76	Grease Fitting	1	317815
76A	Grease Relief Fitting	1	701992
135	Hydraulic Motor Adapter – SAE A Flange	1	041829
135A	Capscrew – Adapter / Motor	2	920510

